



Model Number

CCN15-30GS60-A0

Features

- 15 mm non-flush
- Operating distance adjustable via potentiometer
- High EMC resistance
- Stainless steel version
- Complementary outputs
- Operating voltage range 10 V ... 60 V DC

Accessories

BF 30

Mounting flange, 30 mm

Technical Data

General specifications

| | | | |
|----------------------------|-------|---------------|-------|
| Switching element function | | NPN | NO/NC |
| Rated operating distance | s_n | 15 mm | |
| Installation | | non-flush | |
| Output polarity | | DC | |
| Assured operating distance | s_a | 0 ... 12.1 mm | |

Nominal ratings

| | | | |
|--------------------------------|-------|--|--------------------|
| Installation conditions | | | |
| A | | 18 mm | |
| B | | 10 mm | |
| C | | 30 mm | |
| F | | 60 mm | |
| Operating voltage | U_B | 10 ... 60 V DC | |
| Switching frequency | f | 0 ... 10 Hz | |
| Reverse polarity protection | | reverse polarity protected | |
| Short-circuit protection | | pulsing | |
| Voltage drop | U_d | ≤ 2.8 V | |
| Operating current | I_L | 0 ... 200 mA | |
| Off-state current | I_r | 0 ... 0.5 mA typ. 0.1 μ A at 25 °C | |
| | | Off-state current $T_U=40$ °C, switching element off | ≤ 100 μ A |
| No-load supply current | I_0 | ≤ 20 mA | |
| Time delay before availability | t_v | ≤ 50 ms | |
| Switching state indicator | | LED, yellow | |

Indicators/operating means

| | |
|---------------|------------------------|
| Potentiometer | sensitivity adjustment |
|---------------|------------------------|

Ambient conditions

| | |
|---------------------|--------------------------------|
| Ambient temperature | -25 ... 70 °C (-13 ... 158 °F) |
| Storage temperature | -40 ... 85 °C (-40 ... 185 °F) |

Mechanical specifications

| | |
|----------------------|-----------------------------------|
| Connection type | cable PVC, 2 m |
| Core cross-section | 0.75 mm ² |
| Housing material | Stainless steel 1.4305 / AISI 303 |
| Sensing face | PBT |
| Degree of protection | IP67 |

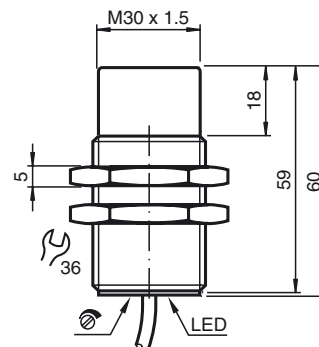
Compliance with standards and directives

| | |
|---------------------|---|
| Standard conformity | |
| Standards | EN 60947-5-2:2007 IEC 60947-5-2:2007 |

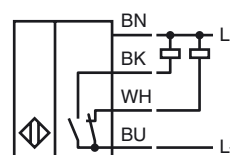
Approvals and certificates

| | |
|--------------|---|
| UL approval | cULus Listed, General Purpose |
| CSA approval | cCSAus Listed, General Purpose |
| CCC approval | Certified by China Compulsory Certification (CCC) |

Dimensions



Electrical Connection



Installation Conditions

